



# Temperature Transmitter

---

Model ASTR

---

# Temperature Transmitter Model ASTR

Temperature transmitter with analogue output

Nominal resistance: 100 Ohm @ 0 °C

Tolerance class according to EN60751

Simple or Oxide mineral (MgO) insulation

Sheath material in SS316 (other upon request)

Sheath diameter 3 or 6 mm (other upon request)

Electrical connection:

1. Squared DIN EN 175 301-803-A (IP65), 30x30 mm with angular output connector
2. Circular M12 (IP65) connector

Sensor body dimensions:

- cylinder diameter 23 mm in SS316, HEX24 upon thread
- total body length comprehensive of circular M12 connector: 80 mm
- total body length comprehensive of squared DIN EN 175 301-803-A connector: 120 mm

Built-in temperature transmitter with set ranges (custom ranges upon request)

Storage and operative temperature: -40 °C to +85 °C (0..90 %RH)

Supply voltage 10 to 32 VDC, protected against reverse polarity up to 60 VDC max

Accuracy  $\pm 0,1\%$  f.s. or  $\pm 0,2$  °C

Electrical connection as per drawings below

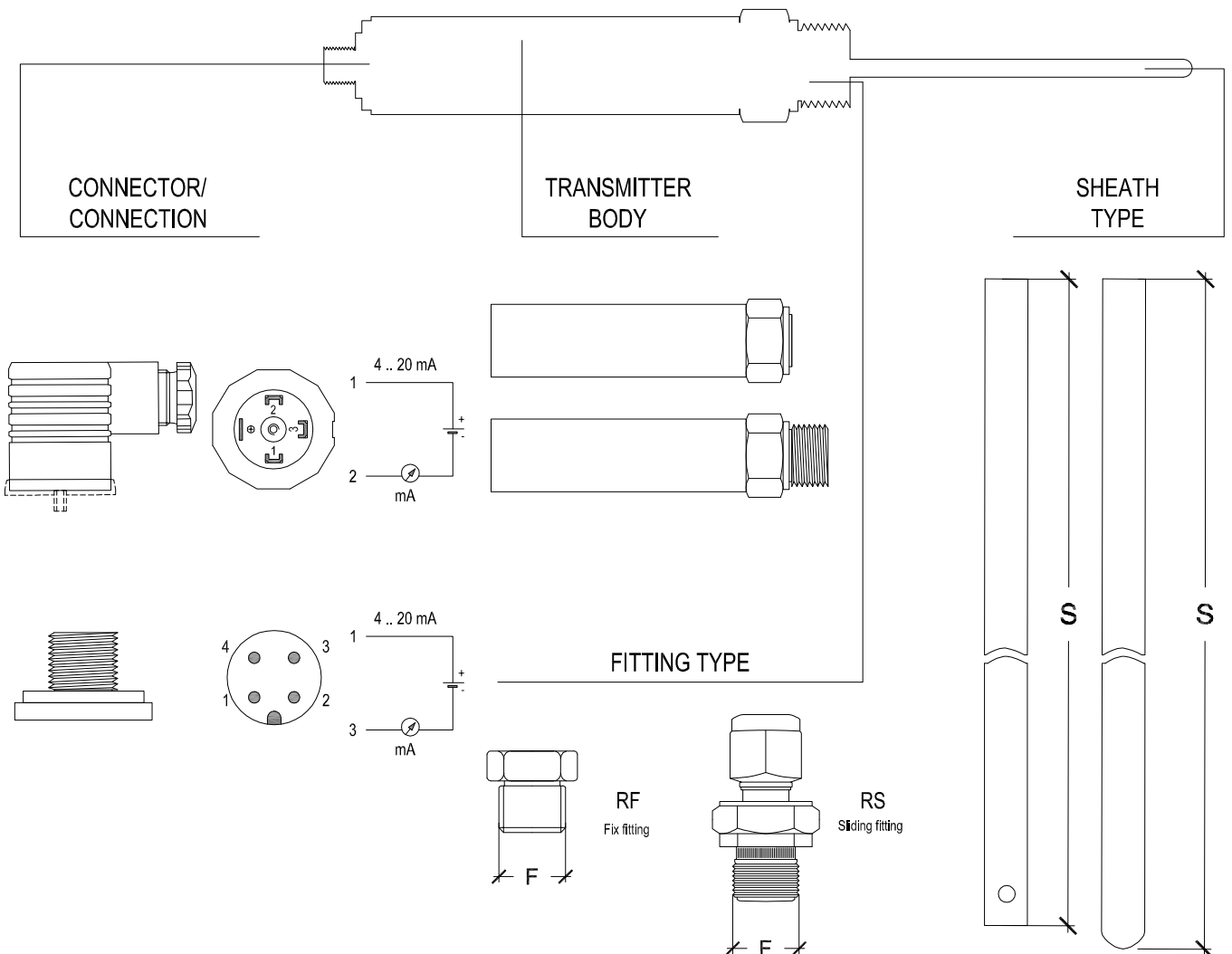
Process connection by fix or sliding compression fittings

Aerothermic bores for ambient survey

EU Declaration of Conformity



Compliant to electromagnetic compatibility according to regulation EMC 2014/30/EU



ASTR | P | a16 | | | | S | | | | |

<b>MODEL</b>	
Single Pt100	P

<b>SHEATH DIAMETER</b>	
Ø mm 3	3
Ø mm 6	6
Other diameter upon request	A

<b>SHEATH MATERIAL</b>	
AISI316	a16

<b>TOLERANCE</b>	
Class B EN60751	B
Class A EN60751	A

<b>CONNECTOR/CONNECTION</b>	
Squared DIN EN 175 301-803-A IP65, 30x30 mm Angolar output with cable-gland for cables diameter 4,5 mm to 7 mm	D30
Circular M12 IP65	M12

<b>OUTPUT SIGNAL</b>	
4/20 mA range from 0 °C a +50 °C	T1
4/20 mA range from 0 °C a +100 °C	T2
4/20 mA range from 0 °C a +150 °C	T3
4/20 mA range from 0 °C a +200 °C	T4
4/20 mA range from 0 °C a +400 °C	T5
4/20 mA range from -50 °C a +150 °C	T6
4/20 mA range from -50 °C a +250 °C	T7
4/20 mA range from -100 °C a +100 °C	T8
4/20 mA, range to be comunicated	TA

<b>SHEATH LENGTH (S)</b>	
25 mm	25
50 mm	50
75 mm	75
100 mm	100
150 mm	150
200 mm	200
250 mm	250
300 mm	300
400 mm	400
500 mm	500

<b>FIX FITTING THREAD *</b>	
1/8" BSPP-male	Rf1/8G
1/4" BSPP-male	Rf1/4G
1/2" BSPP-male	Rf1/2G
3/8" BSPP-male	Rf3/8G
1/2" NPT-male	Rf1/2N
1/4" NPT-male	Rf1/4N

<b>SLIDING COMPRESSION FITTING THREAD **</b>	
1/8" BSPP-male	Rs1/8G
1/4" BSPP-male	Rs1/4G
1/2" BSPP-male	Rs1/2G
3/8" BSPP-male	Rs3/8G
1/2" NPT-male	Rs1/2N
1/4" NPT-male	Rs1/4N
Other types upon request	A

<b>AEROTHERMIC BORE</b>	A
-------------------------	---

<b>ACCREDIA CALIBRATION</b>	T
-----------------------------	---



(\*) With a fix fitting, immersion length is to be considered comprehensive of the fitting thread length  
 (\*\*) With a sliding compression fitting, immersion length consider an extension for fitting movement

