



ATEX Thermometric Complex

RTD Model ASPT-H-Ex d



RTD Model ASPT-H-Ex d

RTD with Aluminum head connection

Nominal resistances: 100 Ohm @ 0 °C, 1000 Ohm @ 0 °C, other upon request

Tolerance Class according to EN60751 or DIN

Number of wires per element: 2, 3 or 4

Simple or Oxide Mineral (MgO) insulation

Sheath in Stainless steel 304 or 316

Sheath diameters from 3 to 10 mm

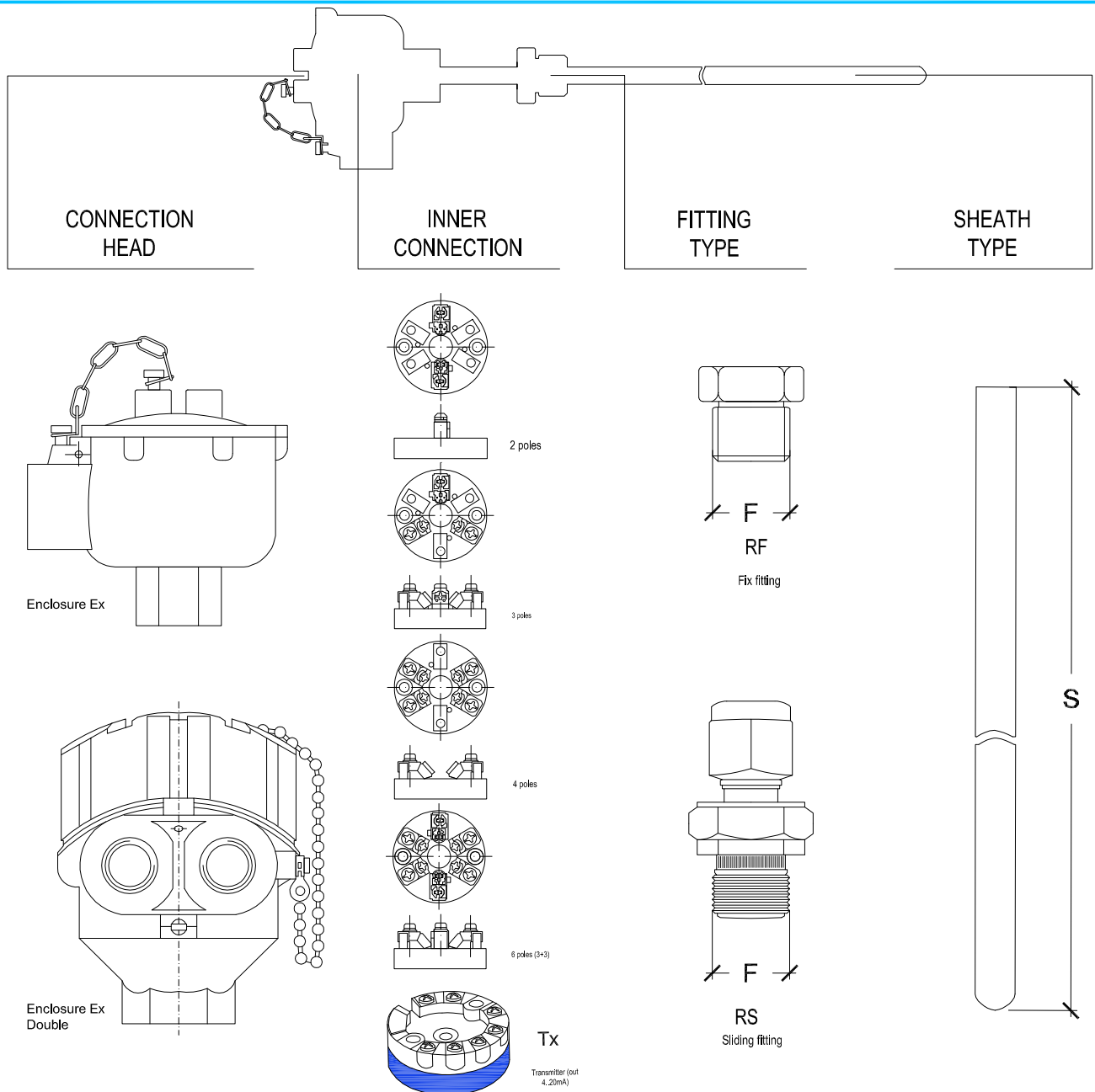
Aluminum head connection Ex d IP65 [Storage temperature from -55 °C to +60 °C]

Inner connection with ceramic terminal block or temperature transmitter analogue output 4..20 mA (HART protocol upon request)

Single or double electrical output

Fix or sliding compression fittings

The ATEX thermometric complex will be compliance with the essential health and safety set out in Annex II of Directive 2014/34/UE (ATEX) which has been subjected to a conformity assessment procedure for the categories 1/2GD and 2GD



MODEL	
Single Pt100	H
Double Pt100	2H
Single Pt1000	HM
Double Pt1000	2HM
Other types upon request	A

NUMBER OF WIRES	
2 wires	2
3 wires	3
4 wires	4
6 wires	6

SHEATH DIAMETER	
Ø mm 3	3
Ø mm 6	6
Ø mm 8	8
Ø mm 10	10
Other diameters upon request	A

SHEATH MATERIAL	
AISI304	a04
AISI316	a16

TOLERANCE	
Class B EN60751	B
Class A EN60751	A
1/3 DIN	3D
1/5 DIN	5D
1/10 DIN	10D

CONNECTION HEAD	
Enclosure Ex d IP65 N1/2 N1/2	Dx
Enclosure Ex d IP65 G1/2 G1/2	DGx
Enclosure Ex d IP65 N1/2 N1/2, double electrical output	D2x
Enclosure Ex d IP65 G1/2 G1/2, double electrical output	D2Gx

INNER CONNECTION	
2 poles	2
3 poles	3
4 poles	4
6 poles	6
Standard temperature transmitter (out 4..20mA)	T
ATEX Temperature Transmitter Ex ia (out 4..20mA)	Tx
Standard Temperature Transmitter HART (out 4..20mA)	TH
ATEX Temperature Transmitter HART Ex ia (out 4..20mA)	TxH

SHEATH LENGTH (S)	
from mm 30	

FITTING TYPE	
Fix fitting*	Rf
Sliding compression fitting	Rs

FITTING THREAD	
1/4" BSPP Male	1/4G
3/8" BSPP Male	3/8G
1/2" BSPP Male	1/2G
3/4" BSPP Male	3/4G
1/2" NPT Male	1/2N
1" NPT Male	1N
Other types upon request	A



(*) If a fix fitting is required, indicate whether the length includes the thread or not

