

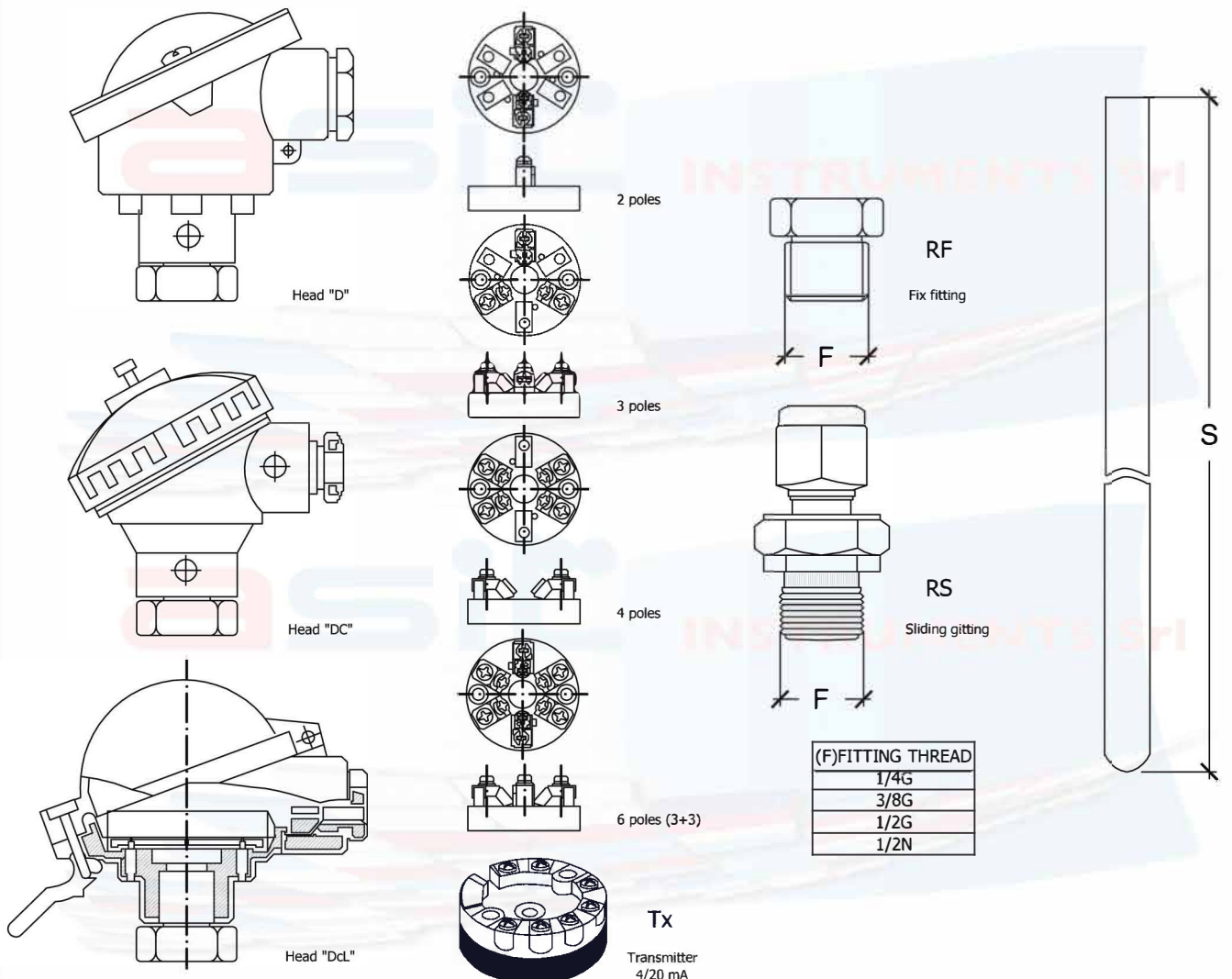
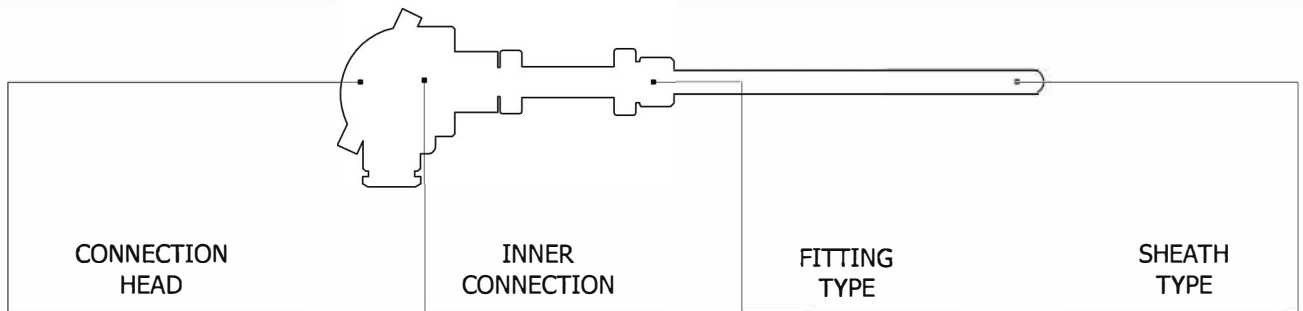


RTD

ASPT-H

Thermoresistance ASPT-H

- RTD Pt100, Pt1000 Ohm @ 0 °C
- Range from -50 °C to +400 °C
- Tolerance class B or A as IEC751, 1/3, 1/5 or 1/10 DIN43760
- Number of wires: 2/3/4
- Simple insulation (standard) or Oxide Mineral Insulation MgO (to note it)
- Diameter from 3 mm to 8 mm (others on request)
- Sheath in AISI304 or AISI316 (others on request)
- Sheath length on request
- Aluminum head connection
- Inner connection with ceramic terminal block or temperature transmitter with 4/20 mA output
- Fix or sliding compression fittings in AISI for process interface



ASPT

S

Model	
Single Pt100	H
Double Pt100	2H
Single Pt1000	HM
Double Pt1000	2HM

Number of wires	
Pt100 2 wires	2
Pt100 3 wires	3
Pt100 4 wires	4
Pt100 double 3+3 wires	6

Sheath diameter	
ø 3 mm	3
ø 6 mm	6
ø 8 mm	8
other on request	

Sheath material	
AISI316	A16
AISI304	A04

Tolerance	
Class B IEC751	B
Class A IEC751	A
Class 1/3DIN	3D
Class 1/5DIN	5D

Connection head	
DIN B	D
DIN Screw cap	Dc
DIN Clips cap	DcL

Inner connection	
2 poles	2
3 poles	3
4 poles	4
6 poles (3+3)	6
Transmitter 4/20 mA	Tx

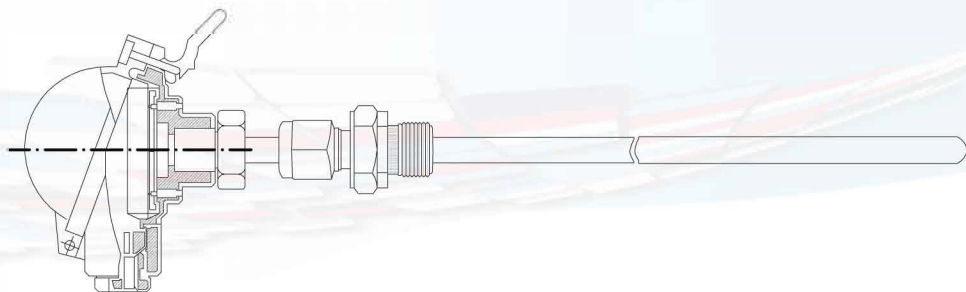
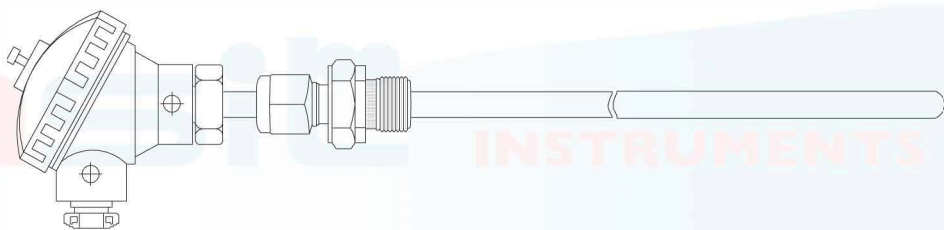
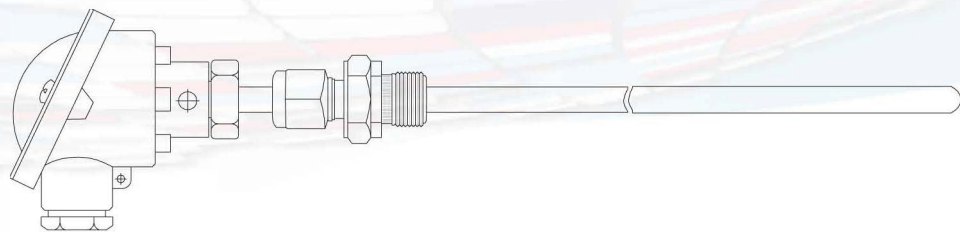
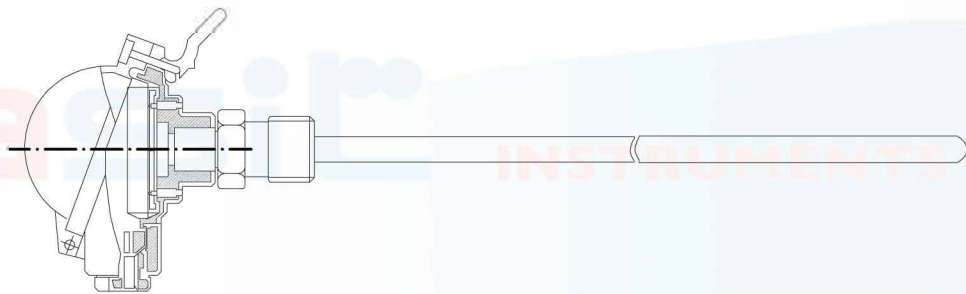
Sheath lenght (S)	
from mm 50 to mm 1000	

Fitting type	
Fix fitting	Rf
Sliding fitting	Rs

Fitting thread	
1/4" Gas male	1/4G
3/8" Gas male	3/8G
1/2" Gas male	1/2G
1/2" Npt male	1/2N

Accredia Calibration	A
----------------------	---

asit
INSTRUMENTS Srl



asit
INSTRUMENTS Srl