

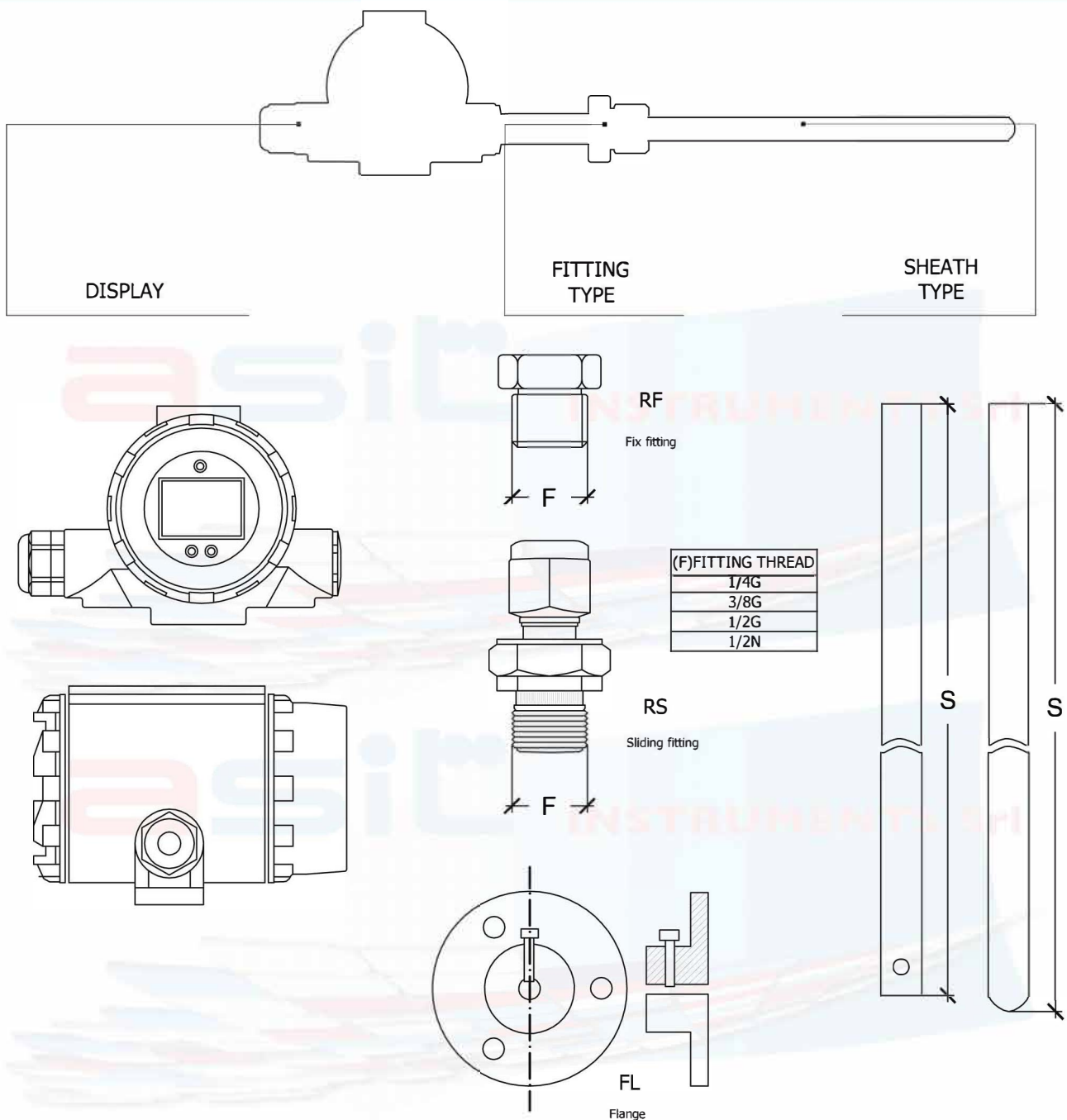


RTD

ASPT-Dy

Thermoresistance ASPT-Dy

- RTD with display
- Range from -200 °C to +600 °C
- Nominal resistances from +0 °C to +100 °C, 1000 Ohm
- Alfa 0,00385
- IEC751, DIN 43760
- Tolerance class B or A as IEC751, 1/3, 1/5 or 1/10 DIN43760
- Number of wires per element: 2/3/4
- Single element
- Diameter from 2 mm to 8 mm
- Sheath in AISI304 or AISI316 (other on request)
- Oxide Mineral Insulation (MgO)
- Head connection with display and analogic output 4/20 mA
- Electrical connection input M20x1.5mm including cable gland
- Head disposal (radial/back)
- Fix or sliding compression fittings
- Aerothermic bore for ambient survey



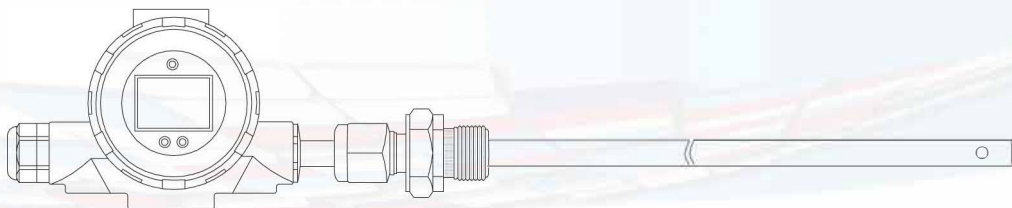
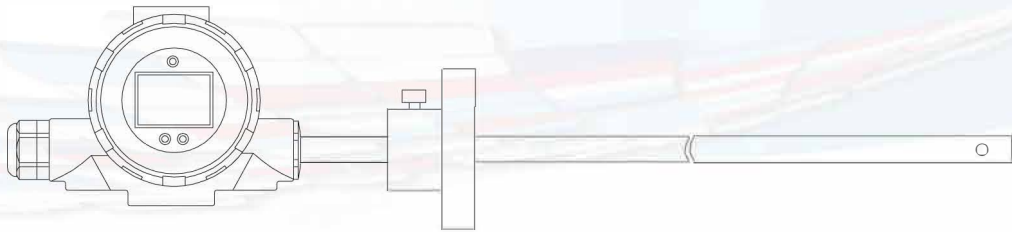
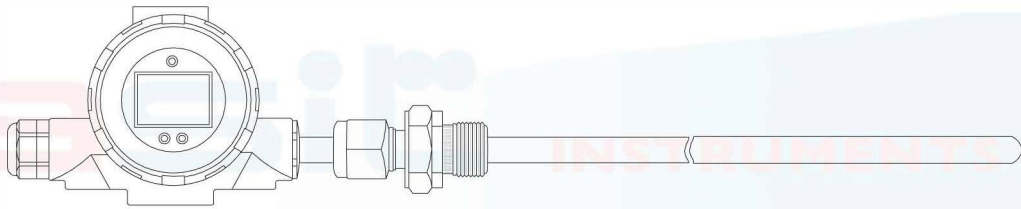
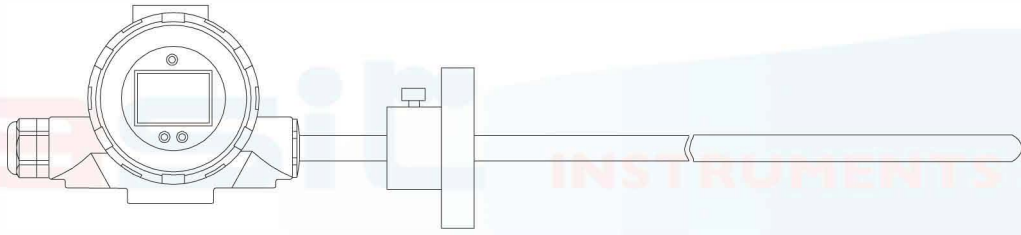
ASPT

Dy

S

| Model | |
|-----------------------|------|
| Single Pt100 | D |
| Single Pt1000 | DM |
| Number of wires | |
| Pt100 2 wires | 2 |
| Pt100 3 wires | 3 |
| Pt100 4 wires | 4 |
| Sheath Diameter | |
| ∅ mm 2 | 2 |
| ∅ mm 3 | 3 |
| ∅ mm 4 | 4 |
| ∅ mm 5 | 5 |
| ∅ mm 6 | 6 |
| ∅ mm 8 | 8 |
| Sheath material | |
| AISI316 | a16 |
| AISI304 | a04 |
| Tolerance | |
| Class B IEC751 | B |
| Class A IEC751 | A |
| Class 1/3DIN | 3D |
| Class 1/5DIN | 5D |
| Class 1/10DIN | 10D |
| Display | |
| Aluminum case IP66 | Dy |
| Sheath lenght (S) | |
| from mm 15 to mm 1000 | |
| Orientation | |
| Radial | R |
| Back | P |
| Fitting type | |
| Fix fitting | Rf |
| Sliding fitting | Rs |
| Flange (only ∅ mm 6) | FI |
| Fitting thread | |
| 1/8" Gas male | 1/8G |
| 1/4" Gas male | 1/4G |
| 3/8" Gas male | 3/8G |
| 1/2" Gas male | 1/2G |
| 1/2" Npt male | 1/2N |
| Aerothermic bore | A |
| Accredia calibration | A |

asit
INSTRUMENTS Srl



asit
INSTRUMENTS Srl