



# RTD

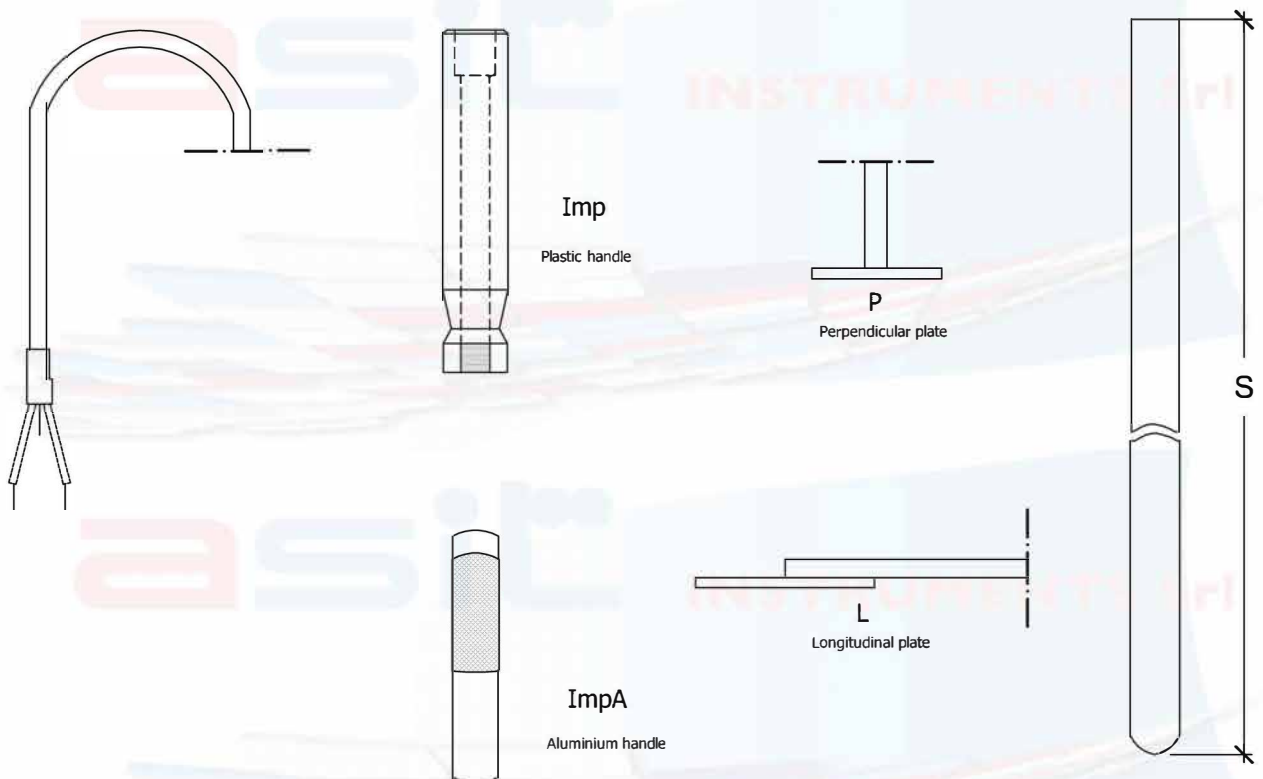
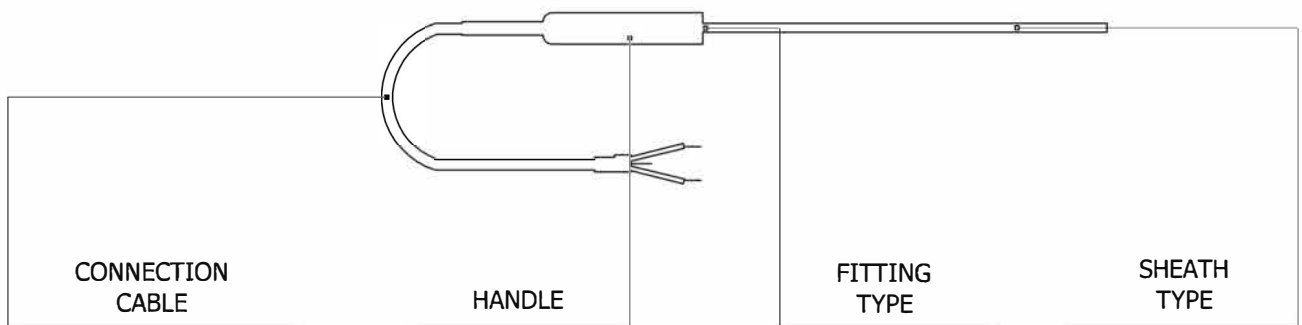
---

ASPT-Im

---

# Thermoresistance ASPT-Im

- RTD with handle
- Range from -200 °C to +600 °C
- Nominal resistances from +0 °C to +100 °C, 1000 Ohm
- Alfa 0,00385 o 0,00392
- IEC751, DIN 43760
- Tolerance class B or A, 1/3, 1/5 or 1/10 as DIN 43760
- Number of wires: 2/3/4
- Diameters from 3 mm to 8 mm
- Sheath in AISI304 or AISI316 (other on request)
- Simple or oxide mineral (MgO) execution
- Plastic or aluminum handle with crease-resistance spring or cable gland
- Extension cable with various size and insulations (Pvc, teflon, silicon rubber, armour fiberglass)
- Option to heading the cable with indicator instruments interface connectors



ASPT

L

S

Model	
Single Pt100	Im
Single Pt1000	ImM

Number of wires	
Pt100 2 wires	2
Pt100 3 wires	3
Pt100 4 wires	4

Sheath diameter	
∅ 3 mm	3
∅ 6 mm	6
∅ 8 mm	8

Sheath material	
AISI316	a16
AISI304	a04

Tolerance	
Class B IEC751	B
Class A IEC751	A
Class 1/3DIN	3D
Class 1/5DIN	5D

Junction	
Plastic handle	Imp
Aluminum handle	ImpA

Connection cable	
Pvc	Pv
Siliconic rubber	Gs
Teflon	Te
Armoured fiberglass	Fb

Cable lenght (L)	
meters	

Sheath lenght (S)	
from mm 15 to mm 1000	

Fitting type	
Perpendicular plate*	P
Longitudinal plate*	L

Accredia calibration	
	A

Options	
Bushings ∅ mm 4 for instruments connection	

\* Contact us for details



